

## Energy Saver Gas Models

Lochinvar's Energy Saver residential gas models are available in 30, 40, and 50 gallon capacities in short and tall configurations.

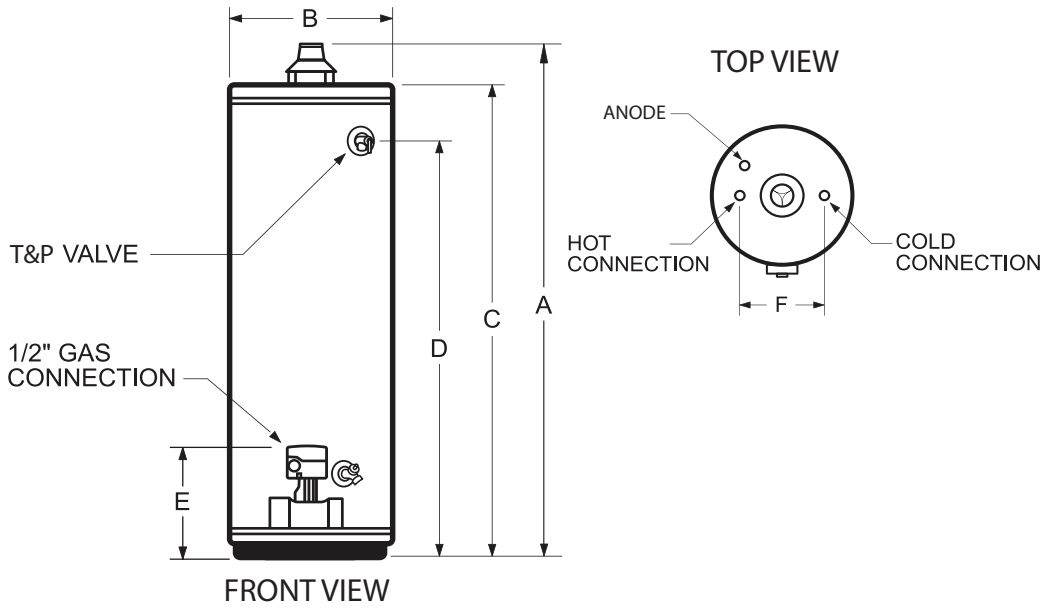
### Standard Features

- **Code Compliance** - The Energy Saver residential gas water heater meets the National Appliance Energy Conservation Act (NAECA) Energy Factor requirements effective April 16, 2015. Meets the thermal efficiency and standby loss requirements of ASHRAE/IES 90.1. Meets UBC, CEC and HUD national codes.
- **Flammable Vapor Ignition Resistant** - Combustion air is directed through a stainless steel flame arrestor plate specifically designed to prevent flame rollout and flammable vapor ignition. The design includes a safety thermal switch and protection from lint, dust and oil buildup.
- **Electronic Gas Control** - The gas valve features an internal microprocessor for precise temperature control, fast response and an LED status indicator for simplified service diagnostics. The valve is powered by a thermopile pilot requiring no external power source.
- **Low NOx Burner** - The patented radial burner design reduces NOx emissions by more than 33% delivering less than 40 ng/j of NOx.
- **Glass-Lined Steel Tank** - The durable glass lining is fused to the steel tank at 1600°F to assure lasting protection against rust and corrosion while providing clear, clean hot water. 300 PSI test pressure; 150 PSI working pressure.
- **Non-CFC Foam Insulation** - A uniform coverage of thick closed-cell foam insulation minimizes standby heat loss, maximizes heat retention and delivers a high Energy Factor.
- **Tank Saver Anode** - A large diameter, high capacity anode inhibits corrosion of the tank interior for long, trouble-free service.
- **Heat Trap** - Heat traps are built into the inlet and outlet connections to eliminate heat migration and heat loss in the water piping.
- **Temperature & Pressure Relief Valve** - Factory installed for optimum safety.
- **Brass Drain Valve** - An enhanced ball valve design for effective drainage and positive shut-off.
- **6-Year Limited Tank & Parts Warranty\*** - See warranty sheet for details.
- **10-Year Extended Warranty Available** - Available for residential applications only.

\*1-year limited tank & parts warranty when installed in a commercial application.



# Dimensions and Specifications:



## FOR EASE IN ORDERING BY MODEL NUMBER

<b>G</b>	<b>S</b>	<b>N</b>	<b>030</b>	<b>35</b>
Residential Gas	Short	Natural Gas	Gallon Capacity	Input Rate

This is a short residential natural gas 30 gallon water heater with 35,500 Btu/Hr input rate.

Model Number	Nat. Gas		LP Gas		Energy Factor	1st Hr. Rating	GPH @ 90°F Rise	A	B	C	D	E	F	Gas Conn.	Water Conn.	Vent Size	Ship. Wt.
	Gal. Cap.	Btu/Hr Input	Btu/Hr Input	Btu/Hr Input													
<b>Energy Saver with Insulation Blanket - Short Models</b>																	
GSN030 35B	30	35,500	32,000	0.63	56	37	50"	18"	46-1/2"	40"	12"	8"	1/2"	3/4"	3" or 4"	110	
GSN040 40B	40	40,000	36,000	0.62	67	41	51-1/2"	20"	48"	41-1/4"	12"	8"	1/2"	3/4"	3" or 4"	134	
<b>Energy Saver - Short Models</b>																	
GSN030 35	30	35,500	32,000	0.63	62	37	50"	20"	46-1/2"	40"	12"	8"	1/2"	3/4"	3" or 4"	118	
GSN040 40	40	40,000	36,000	0.62	68	41	51-1/2"	22"	48"	41-1/4"	12"	8"	1/2"	3/4"	3" or 4"	135	
GSN050 40	50	40,000	40,000	0.60	93	43	53-1/4"	24"	49-3/4"	41-1/2"	12"	8"	1/2"	3/4"	3" or 4"	177	
<b>Energy Saver with Insulation Blanket - Tall Models</b>																	
GTN030 35B	30	35,500	32,000	0.63	64	37	61-1/2"	16"	58"	51-3/4"	12-1/4"	8"	1/2"	3/4"	3" or 4"	123	
GTN040 40B	40	40,000	36,000	0.62	70	42	61-3/4"	18"	58-1/4"	52"	12-1/4"	8"	1/2"	3/4"	3" or 4"	130	
GTN050 60B*	50	60,000	54,000	0.60	98	65	65-1/2"	22"	61"	54-1/4"	13-1/2"	8"	1/2"	3/4"	4"	190	
<b>Energy Saver - Tall Models</b>																	
GTN030 35	30	35,500	32,000	0.63	67	37	61-1/2"	18"	58"	51-3/4"	12-1/4"	8"	1/2"	3/4"	3" or 4"	132	
GTN040 35	40	35,500	N/A	0.62	67	38	61-3/4"	20"	58-1/4"	52"	12-1/4"	8"	1/2"	3/4"	3" or 4"	138	
GTN040 40*	40	40,000	36,000	0.62	70	42	61-3/4"	20"	58-1/4"	52"	12-1/4"	8"	1/2"	3/4"	3" or 4"	138	
GTN050 40*	50	40,000	37,000	0.60	88	41	60-3/4"	21"	57-1/4"	50-1/2"	12-1/4"	8"	1/2"	3/4"	3" or 4"	148	
GTN050 50*	50	50,000	45,000	0.60	92	54	60-3/4"	22"	57-1/4"	50-1/2"	12-1/4"	8"	1/2"	3/4"	4"	165	
GTN055 60*	55	60,000	54,000	0.59	103	65	59-3/4"	24"	55-1/4"	48"	13-1/2"	8"	1/2"	3/4"	4"	185	

Notes: In the model number, "N" indicates Natural gas; replace "N" with "L" to indicate L.P. gas models

\* Optional Side Tappings are available on these models. Add "ST" to the end of the model number (Ex: GTN04040ST).

### Certified for Potable Water and Space Heating Applications

This water heater is suitable for water heating and space heating. Toxic chemicals, such as those used for boiler water treatment shall NEVER be introduced into this system. This water heater may NEVER be connected to any existing heating system or components previously used with non-potable water heating appliances.



Lochinvar, LLC  
300 Maddox Simpson Parkway  
Lebanon, Tennessee 37090  
P: 615.889.8900 / F: 615.547.1000  
Lochinvar.com

