



**DECOLAV®**  
CHANGING THE WAY YOU VIEW THE BATHROOM®

MODEL NUMBER: CALLENSIA® SERIES (1402)

## PRODUCT DESCRIPTION

- Classically Redefined Collection®
- Vitreous China Undermount Lavatory
- 20.25" W x 14.25" D x 8.25" H Rectangle with Overflow
- ADA compliant when installed in a 25" (53.3 cm) minimum depth countertop
- This product conforms to CSA B45.1-02/ ASME A112.19.2 standards for ceramic plumbing fixtures.



## RECOMMENDED ACCESSORIES

- DECOLAV® 9295 Grid Drain or
- DECOLAV® 9297 Push Button Closing Umbrella Drain

## THANK YOU

Dear Valued Customer,  
DECOLAV® would like to take this opportunity to thank you for your purchase – It is our sincere hope that you are completely satisfied with your new product. We welcome and look forward to helping you create another unique look for your next bathroom project.

Prior to installation, please take a moment to review all provided materials and hardware. For assistance with your new product, please contact our dedicated DECOLAV® customer service staff.

Sincerely,

Robert H. Mayer  
President



**DECOLAV®**  
CHANGING THE WAY YOU VIEW THE BATHROOM®

## BEFORE YOU BEGIN

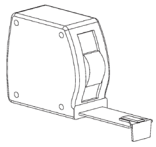
1. Prior to installation, unpack your new DECOLAV® product and inspect it. Keep the product in its original package until you are ready to install it.
2. The wall must be square, plumb and level.
3. Shut the water supply off when replacing an existing fixture. Preparation of the floors and walls, including all additional wall supports, may be required.
4. Observe all local plumbing and building codes.
5. It is recommended that this installation be done with a minimum of two people. Do not install this fixture alone.

Customer Service: 561-274-2110  
[www.decolav.com](http://www.decolav.com)

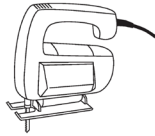
LET YOUR DREAMS COME ALIVE, YOUR PASSIONS  
BECOME REALITY, BE THE ENVY OF YOUR NEIGHBORS®



RECOMMENDED TOOLS



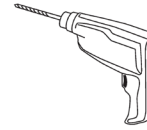
Tape Measure



Jig Saw



Pencil



Drill



Level



Phillips  
Screwdriver



Pipe Wrench



Plumber's Putty  
or Caulking



Putty Knife



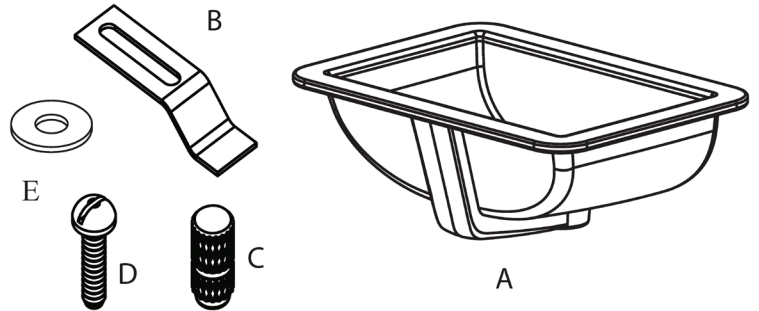
Flathead  
Screwdriver



Adjustable Wrench

PARTS

Item	Description	Qty
A	Vitreous China Undermount Lavatory	1
B	Undermount Clips	4
C	Threaded Knurl	4
D	Machine Screw* Included 3 different length screws: (a)0.5", (b)0.75", (c)1.0"	a 4 b 4 c 4
E	Washer	4



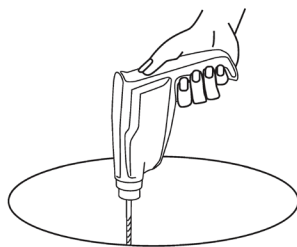
• NOTE: Cutout Template Included

\* NOTE: 3 different length screws are included to accommodate for variances in thickness.

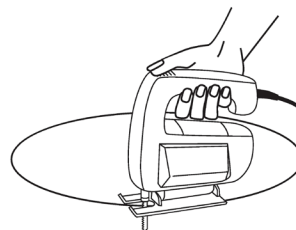
INSTALLATION INSTRUCTIONS

• STEP #1

- o Affix Template provided to Countertop at desired location with cellophane tape.
- o Mark guidelines on Countertop in several places.
- o Drill a clearance hole approximately 1/4" to 1/2" inside the perimeter line of Template.
- o Cut opening following the perimeter line of Template.
- o DECOLAV WILL NOT BE HELD RESPONSIBLE IF SUPPLIED CUTOUT TEMPLATE IS NOT FOLLOWED.
- o Make sure that with the cutout template in the desired place that there is adequate clearance between the faucet and the wall and the faucet nut and the rim of the lavatory.



Clearance Hole



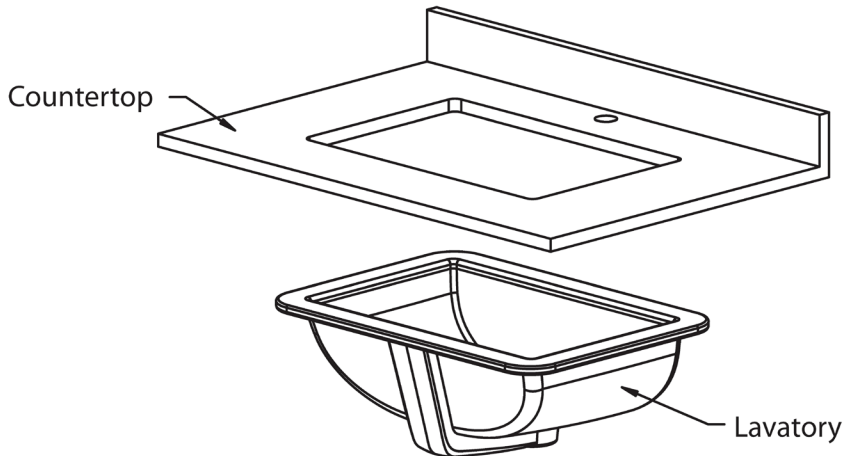
Cut Opening



INSTALLTION INSTRUCTIONS

• STEP #2

- o Check for cutout alignment by placing Lavatory (A) in desired mounting position.



• STEP #3

- o Refer to Figure #1, Mounting Clips Detail [Installation for solid surface countertops with a minimum thickness of 1" (25mm). Installer must supply anchors for thinner countertops.]
- o For solid surface, drill anchors hole 3/8" Dia. x 1/2" deep. Apply small amount of Epoxy (not provided) to closed end of Threaded Knurl (C). Insert threaded knurl (threaded open end exposed).
- o Apply Plumber's Putty or Caulking around the topside of rim near the edge as shown.
- o Carefully raise Lavatory in place,

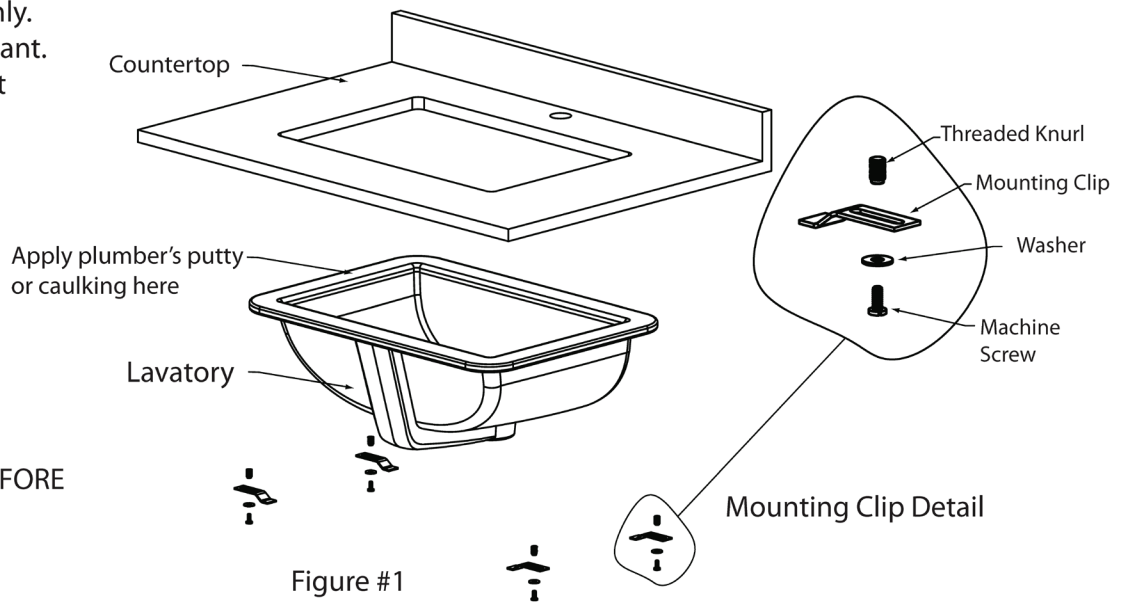
align, and press firmly.

- o Wipe off excess sealant.

- o Attach Undermount Clips (B) to hold Lavatory in place.

- o NOTE: FOR WOOD COUNTERTOPS USE WOOD SCREWS AND ANCHORS, WOOD SCREWS NOT PROVIDED.

- o NOTE: ALLOW SEALANT TO SET BEFORE PROCEEDING!





## INSTALLATION INSTRUCTIONS

### • STEP #4

- o Install Drain according to manufacturer's installation instructions.
- o NOTE: DO NOT OVERTIGHTEN DRAIN! DRAIN NOT INCLUDED!

### • STEP #5

- o NOTE: WASTE SYSTEM IS NOT INCLUDED!
- o Install Waste System according to manufacturer's installation instructions.

### • STEP #6

- o Install faucet and water supply according to manufacturer's installation instructions.
- o NOTE: FAUCET AND WATER SUPPLY NOT INCLUDED!
- o Check for leakage.

## CARE AND CLEANING

- DO NOT OVERTIGHTEN DRAIN. Overtightening of the drain can damage your DECOLAV<sup>®</sup> product.
- DO NOT clean the product with Detergents, Acid, Abrasives, Harsh Cleaners or a cloth with a coarse surface (S.O.S.<sup>®</sup> Pads, Scotch Brite<sup>®</sup> Pads). This is good advice for any plumbing fixture regardless of material.
- DO NOT leave any cleaning agents other than water on your DECOLAV<sup>®</sup> product.
- DO NOT allow your DECOLAV<sup>®</sup> product to unnecessarily encounter other solid objects.
- DO clean your DECOLAV<sup>®</sup> product. Wipe with a damp cloth and dry with a soft cloth. If necessary, a general mild soap and water solution can be used.

## LIMITED 5 YEAR WARRANTY

### DECOLAV 5 YEAR LIMITED WARRANTY

Any Deco Lav, Inc. ("DECOLAV") product(s), sold after December 1, 2010, will be warranted to the original end consumer to be free of true defects in material and workmanship during normal residential use for FIVE (5) years from the date of original installation subject to the following:

- Proof of purchase (original sales receipt) from the original end consumer must be made available to DECOLAV for all warranty claims.
  - The person claiming a warranty issue must be able to establish original purchase and installation of the product.
  - Authorized DECOLAV personnel have inspected the product(s) and determined the product(s) to have true manufacturing defect(s) (unless other arrangements satisfactory to DECOLAV have been agreed upon).
  - Such product(s) are returned to DECOLAV (unless other arrangements satisfactory to DECOLAV have been agreed upon).
  - The product must have been purchased, directly or indirectly, through an authorized DECOLAV reseller.

This limited warranty is non-transferable and applies only to the original end consumer and to the original installation of the product. This limited warranty is void if the product has been moved from its initial installation site or if ownership of the product has changed. DECOLAV's product are produced from natural raw materials and there may be a slight color variance from product appearing in catalogs, brochures, web-sites, or product samples, or prior production. These are not examples of manufacturing defects and will not be covered under this warranty.

This limited warranty does not cover any mechanical pieces of any DECOLAV product. These mechanical pieces will be covered under a One Year Warranty, with all other terms of this warranty applying except duration. If this product is used commercially or installed outside of North America, DECOLAV warrants the product to be free from defects in material and workmanship for one (1) year from the date of installation with all other terms of this warranty applying except duration.

THIS LIMITED WARRANTY DOES NOT COVER ANY DAMAGES CAUSED BY SHIPPING, MISUSE, ABUSE, ACCIDENTS, NEGLIGENCE, UNAUTHORIZED REPAIRS OR ALTERATIONS, MODIFICATIONS, USE OF OTHER THAN GENUINE DECOLAV REPLACEMENT PARTS, DIRT, LIME SCALE, AND OTHER MINERALS, SCUFFS AND SCRATCHES, EXPOSURE TO MARINE AREAS, ABNORMAL USAGE, AND NORMAL WEAR AND TEAR. ANY IMPROPER INSTALLATION, IMPROPER MAINTENANCE, IMPROPER HANDLING, IMPROPER AND CONTRARY USES, IMPROPER CARE AND CLEANING AND ALL ACTS BEYOND DECOLAV'S CONTROL WILL VOID THIS LIMITED WARRANTY.

This limited warranty does not apply to local building code compliance. Since local building codes vary considerably, the original end consumer of the product(s) should check with a local building or plumbing contractor to ensure local code compliance prior to installation. This warranty does not apply to custom or customized product.

If you believe that you have a valid warranty claim, contact DECOLAV Customer Service. Please be sure to provide all pertinent information regarding your claim, including a complete description of the problem, the product, model number, the date the product was purchased, from whom the product was purchased and the installation date and location. Also be sure to provide a copy of your original purchase invoice. For other questions, please write to us at: Deco Lav, Inc., Attn. Returns Processing, 606 Banyan Trail, Boca Raton, FL 33431.

Upon satisfaction of each of the foregoing conditions and requirements, DECOLAV shall, at its option, either repair or replace the defective product. DECOLAV shall return any product repaired or replaced under this limited warranty to the original end consumer transportation prepaid. All Closeout/Discontinued product(s), at time of a valid warranty claim, will either be repaired or replaced with a comparable item. DECOLAV's option to repair or replace the product under this limited warranty does not cover any cost of labor to remove or install the DECOLAV product, usage and delay time, or other costs of removal or installation whatsoever. IN NO EVENT WILL DECOLAV BE LIABLE FOR THE COST OF REPAIR OR REPLACEMENT OF ANY INSTALLATION MATERIALS, INCLUDING BUT NOT LIMITED TO, TILES, MARBLE, ETC.

THIS LIMITED WARRANTY DOES NOT COVER ANY LIABILITY FOR CONSEQUENTIAL OR INCIDENTAL DAMAGES, ALL OF WHICH ARE HEREBY EXPRESSLY DISCLAIMED, OR THE EXTENSION BEYOND THE DURATION OF THIS LIMITED WARRANTY. Some states do not allow the exclusion or limitation of incidental or consequential damages, so the above limitation or exclusion may not apply to you.

### THE WARRANTIES HEREIN:

- ARE EXCLUSIVE AND STATED IN LIEU OF ALL OTHER WARRANTIES, WHETHER EXPRESS, STATUTORY, OR IMPLIED, INCLUDING BUT NOT LIMITED TO THE WARRANTIES OF MERCHANTABILITY AND FITNESS FOR AN INTENDED PURPOSE, ALL OF WHICH ARE HEREBY EXPRESSLY DISCLAIMED.
- NEITHER ASSUME NOR AUTHORIZE ORIGINAL END CONSUMER NOR ANY OTHER PARTY TO ASSUME ANY OTHER LIABILITIES IN CONNECTION WITH THE MANUFACTURE OR SALE OF THE PRODUCT.
- ARE SUBJECT TO THE LIMITATIONS ON DAMAGES AS SET FORTH ABOVE.